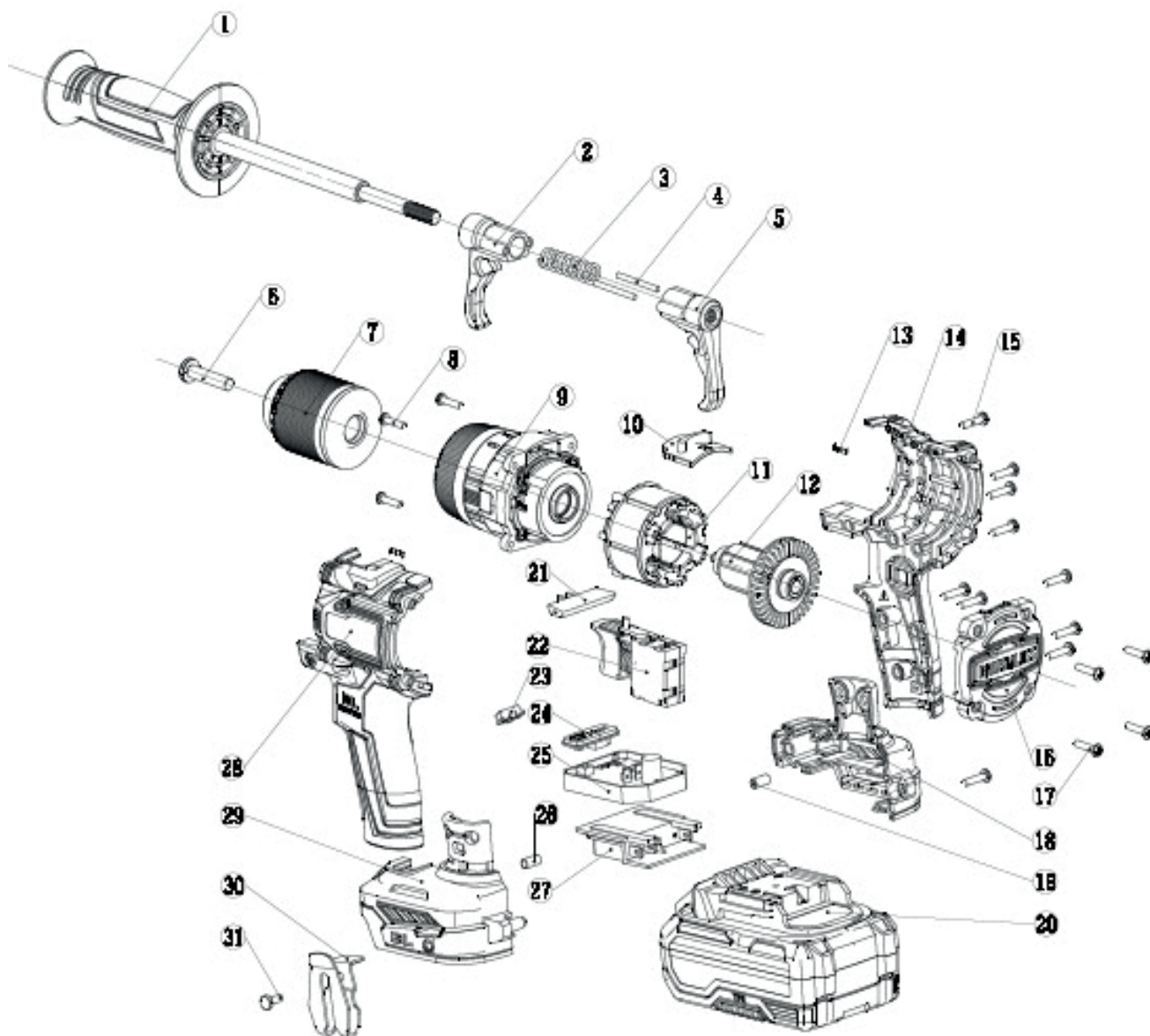


510100 CORDLESS IMPACT DRILL GW100 (SPARE PARTS)



NO.	DESCRIPTION	QTY	Memo	NO.	DESCRIPTION	QTY	Memo
510100-1	Handle	1	Contains 1,2,3,4,5	510100-17	ST screw	4	
510100-2	Handle, left aluminium bracket	1	Included in number 1	510100-18	Foot housing, right	1	Included in number 14
510100-3	Handle spring	1	Included in number 1	510100-19	Rubber	2	Contains 19,26
510100-4	Handle pin	1	Included in number 1	519021	Battery	1	
510100-5	Handle, right aluminium bracket	1	Included in number 1	510100-21	Reversing button	1	
510100-6	Anti thread screw	1		510100-22	Switch	1	
510100-7	Chuck	1		510100-23	LED cover	1	
510100-8	ST screw	4		510100-24	-		
510100-9	Gear ASS	1		510100-25	PCB ASS	1	
510100-10	Shift paddle	1		510100-26	Rubber	1	Included in number 19
510100-11	Motor stator	1	Contains 11,12	510100-27	Contact piece hold	1	
510100-12	Motor rotor	1	Included in number 11	510100-28	Foot housing, left	1	Included in number 14
510100-13	Shrapnel	2		510100-29	Foot housing, left	1	Included in number 14
510100-14	Housing R	1	Contains 14,16,18,28,29	510100-30	Hook	1	Contains 30,31
510100-15	ST screw	10		510100-31	ST screw	4	Include in number 30
510100-16	Rear cover	1	Included in number 14				

Color	Info
	Contains more than one item
	Not sold separately